

ARI STAB



COMFORT

- Temperature regulation

EFFICIENCY&ENERGY SAVING

- Ecological polyurethane insulation

QUALITY

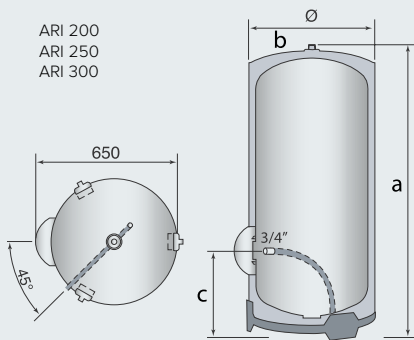
- Titanium glasslined inner tank tested at 12 bar
- Oversize magnesium anode
- 5-bolts flange
- Pressure safety valve rated at 6 bar

DESIGN

- Exclusive Italian design
- Floor Standing



floor standing



ARI 200
ARI 250
ARI 300

TECHNICAL DATA		ARI 200 STAB	ARI 250 STAB	ARI 300 STAB	TI 500 STI EU2
Capacity	l	200	250	300	500
Power	kW	3,0	3,0	3,0	6,0
Voltage	V	230	230	230	230/400
Heating time (ΔT= 45°C)	h, min.	4,26	5,00	5,54	3,50
Max. Working Temp.	°C	75	75	75	90
Heat dispersion	kWh/24h	1,88	2,17	2,6	-
Max. Working Pressure	bar	6	6	6	6
Protection	IP	IP25D	IP25D	IP25D	IP24
Weight	kg	50	61	71	107
OVERALL DIMENSIONS					
a	mm	1320	1270	1800	
b	mm	560	560	560	
c	mm	390	365	365	

CODE

3000363 3000351 3000328 3070547

LEGEND
E Cold water inlet G 1"
U Hot water outlet G 1"