

	Horizontal	Horizontal	Horizontal	Horizontal	Horizontal	Vertical	Horizontal	Horizontal	Vertical	Horizontal	Vertical	Horizontal	Horizontal	Vertical	Horizontal	Vertical
Model	125/1.5	125/2	160/2	160/2.5	160/3H	160/3V	200/2.5	200/3 H	200/3 V	200/4 H	200/4 V	300/3	300/4 H	300/4 V	300/5 H	300/5 V
Nr. of people served	2	3	4-5	4-5	4-5	4-5	5-7	5-7	5-7	5-7	5-7	7-10	7-10	7-10	7-10	7-10
Tank volume(lt)	125	125	160	160	160	160	200	200	200	200	200	300	300	300	300	300
Collectors gross surface(m ²)	1.51	2.21	2.21	2.51	2x1.51	2x1.51	2.51	2x1.51	2x1.51	2x2.21	2x2.21	2x1.51	2x2.21	2x2.21	2x2.51	2x2.51
A(mm)	1060	1060	1060	1060	1060	2120	1060	1060	2120	1060	2120	1060	1060	2120	1060	2120
B(mm)	1440	2060	2060	2340	3030	1440	2340	3030	1440	4270	2060	3030	4270	2060	4680	2340
C(mm) at 30°	1490	1490	1490	1490	1490	2170	1490	1490	2170	1490	2170	1490	1490	2170	1490	2170
C(mm) at 45°	1130	1130	1130	1130	1130	1880	1130	1130	1880	1130	1880	1130	1130	1880	1130	1880
D(mm) at 30°	1310	1310	1310	1310	1310	1700	1310	1310	1700	1310	1700	1310	1310	1700	1310	1700
D(mm) at 45°	1570	1570	1570	1570	1570	2200	1570	1570	2200	1570	2200	1570	1570	2200	1570	2200
Weight(kg)empty/full	104/239	118/249	133/302	144/318	153/324	153/324	155/373	164/385	164/385	195/427	195/427	181/496	209/533	209/533	220/547	220/547
Heating element(Kw)	3.5	3.5	3.5	3.5	3.5	3.5	3.5	3.5	3.5	3.5	3.5	3.5	3.5	3.5	3.5	3.5
TRIEN availability	Yes	Yes	Yes	Yes	Yes	Yes	Yes	Yes	Yes	Yes	Yes	Yes	Yes	Yes	Yes	Yes
INCLINED Roof support availability	Yes	Yes	Yes	Yes	Yes	Yes	Yes	Yes	Yes	Yes	Yes	Yes	Yes	Yes	Yes	Yes

Calpak supports are made of galvanized steel angle 4 mm thick. They can be installed on a flat roof, on a tile roof or on a corrugated metal roof, depending on the needs of the user. They have two options of inclination: 45° and 30°.

Calpak ensures a secure installation of its thermosiphonic water heaters for a maximum wind speed of 55m/s, according to the standard EN 1991-1-4.

Details relevant to the wind resistance of the systems, as well as other useful technical information regarding the Calpak thermosiphonic systems are included in the technical documentation.



[Calpak Mark3 thermosiphonic systems]

The optimal solution for unparalleled efficiency and long life!

Calpak-Cicero Hellas S.A.
9 Sygrou Ave., 11743
Athens, Greece
Tel.: +30 210 9247250
Fax: +30 210 9231616
email: export@calpak.gr
www.calpak.gr



Calpak
powered by the sun

[Calpak Mark3 thermosiphonic systems]

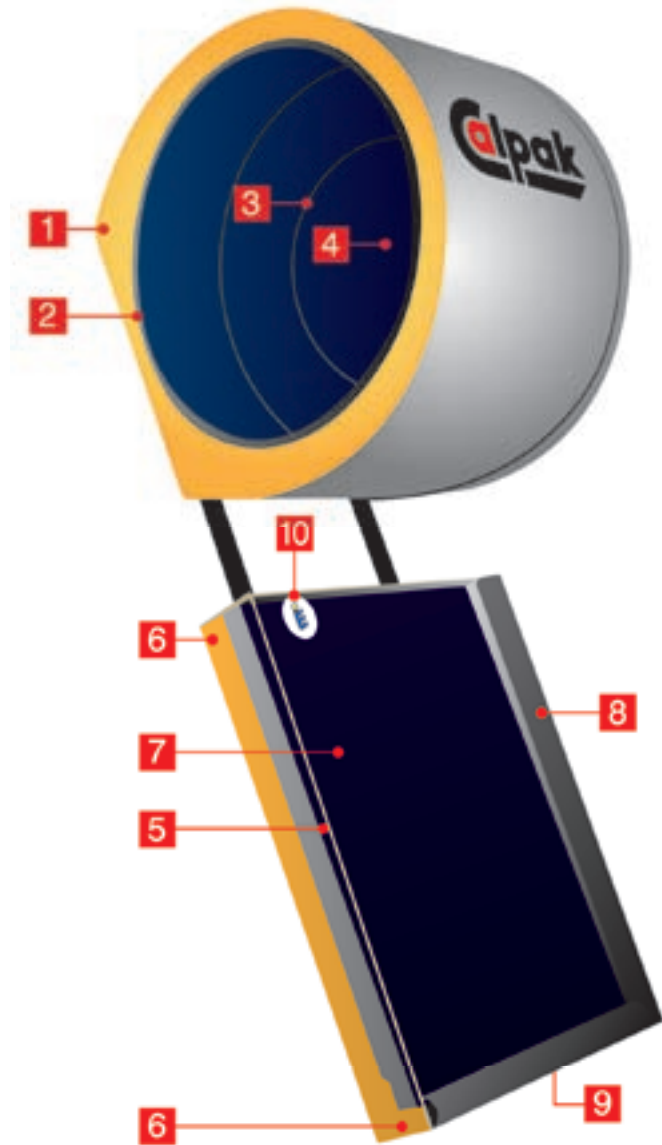
Calpak Solar thermal systems provide the opportunity for immediate return on investment, and demonstrate a strong commitment to environmental responsibility. Calpak, for the last 35 years, offers to the global market the most powerful and durable Solar Thermal systems. Versatile systems designed to cover the needs of every application. The exceptional performance of our closed circuit systems derives from our unique characteristics which are:

Horizontal tanks:

1. Thick insulation of the tank with expanded PU to have minimum heat losses
2. Double jacket heat exchanger for protection against frost and scale
3. Special design of the tank perfectly adopted to the high quality inner corrosion protection
4. Absolute inner corrosion protection and assured hygiene with Direct Enameling (10% titanium) according to DIN 4753 (baked at 850 Celsius) and magnesium bar cathodic protection

Collectors:

5. Advanced technology sandwich absorbers exploiting the maximum amount of solar energy provided
6. Special insulation at the back and sides with thick environmental friendly PU
7. Low-iron tempered glass
8. Permanently sealed with two EPDM gaskets, silicon foam and aluminium clip
9. High durability anodized aluminium frame
10. Solar Keymark certified, the only European Certificate which certifies efficiency and durability



125/1.5
Tank: 125 L
Collector: 1.51 m²



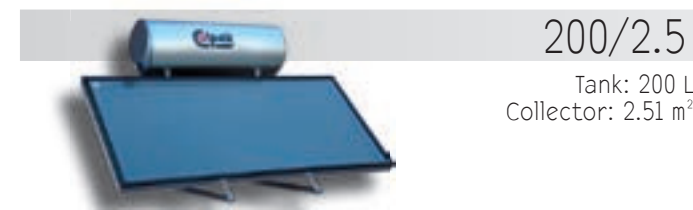
125/2
Tank: 125 L
Collector: 2.21 m²



160/2
Tank: 160 L
Collector: 2.21 m²



160/2.5
Tank: 160 L
Collector: 2.51 m²



200/2.5
Tank: 200 L
Collector: 2.51 m²



200/3V
Tank: 200 L
Collector: 2 x 1.51 m²
Vertical Configuration



200/3H
Tank: 200 L
Collector: 2 x 1.51 m²
Horizontal Configuration



200/4H
Tank: 200 L
Collector: 2 x 2.21 m²
Horizontal Configuration



200/4V
Tank: 200 L
Collector: 2 x 2.21 m²
Vertical Configuration



300/3
Tank: 300 L
Collector: 2 x 1.51 m²



300/4H
Tank: 300 L
Collector: 2 x 2.21 m²
Horizontal Configuration



300/4V
Tank: 300 L
Collector: 2 x 2.21 m²
Vertical Configuration