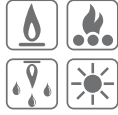


**VASO INERZ. XC VT**  
INSULATED STAINLESS STEEL 316L D.H.W. ACCUMULATION TANK

STAINLESS STEEL 316L



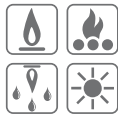
Pmax	Tmax
<b>8 bar</b>	95° C

For those products available on request , prices and delivery time should be agreed when ordering.

Capacity	VASO INERZ. XC VT		Weight
[liters]	ART. NR.		[Kg]
<b>200</b>	3060052140002		49
<b>300</b>	3060052140003		62
<b>500</b>	3060052140004		85
<b>1000</b>	3060052140006		155
<b>1500</b>	3060052140007		213
<b>2000</b>	3060052140008		258
<b>3000</b>	3060052140009		346
<b>4000</b>	3060052140010		528
<b>5000</b>	3060052140011		665

**VASO INERZ. WC VT**  
INSULATED POLYWARM® D.H.W. ACCUMULATION TANK

POLYWARM®

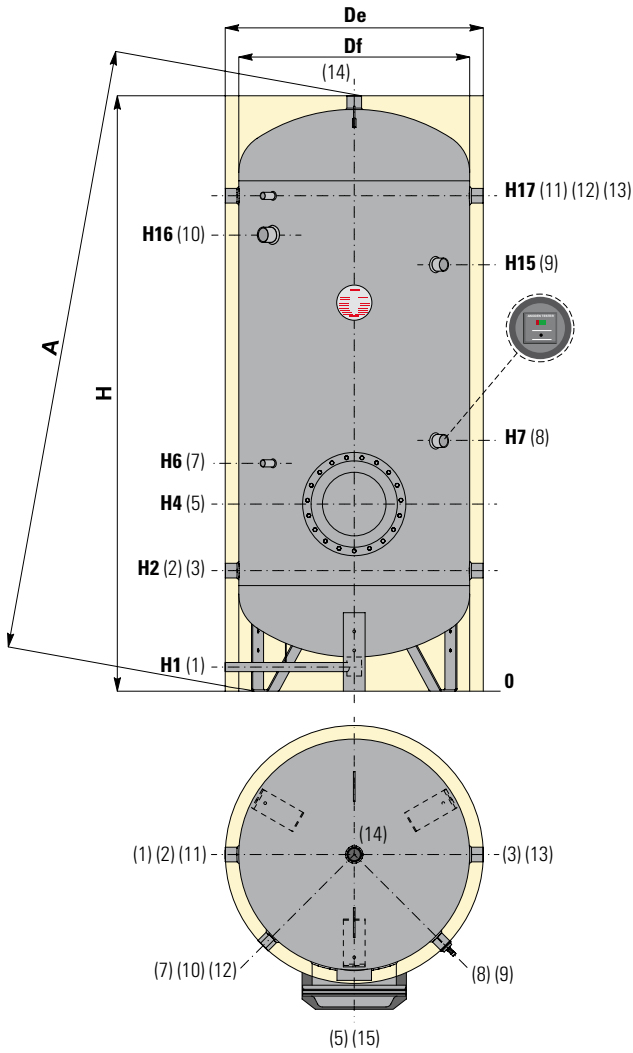


Pmax	Tmax
<b>8 bar</b>	90° C

Capacity	VASO INERZ. WC VT		Weight
[liters]	ART. NR.		[Kg]
<b>200</b>	3060161620002		49
<b>300</b>	3060161620003		62
<b>500</b>	3060161620004		85
<b>800</b>	3060161620005		118
<b>1000</b>	3060161620006		155
<b>1500</b>	3060161620007		213
<b>2000</b>	3060161620008		258
<b>3000</b>	3060161620009		346
<b>4000</b>	3060161620010		528
<b>5000</b>	3060161620011		665



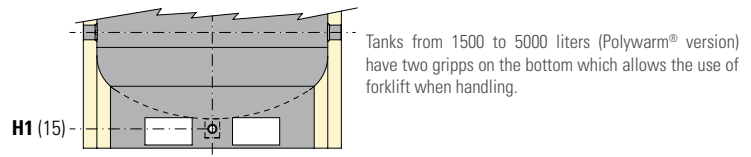
**PROMPT DELIVERY**  
Grey highlighted products are dispatched in 1-5 working days. (Delivery time excluded)



CONNECTIONS	
1	Drain 3/4" Gas F (from 200 to 1000 lt)
2	Domestic Cold Water Circuit Inlet
3	Delivery to external heat exchanger
5	Blind flange for inspection
7	Connection for thermostat 1/2" Gas F
8	Connection for magnesium anode 1" 1/4 Gas F
9	Connection to 2nd anode 1" 1/4 Gas F (available only on >1500 lt)
10	Connection for electrical immersion resistance 1" 1/2 Gas F
11	Connection for recirculation
12	Connection for 1/2" Gas thermometer
13	Backflow external heat exchanger
14	Domestic Hot water outlet
15	Drain 1" Gas F (only for capacities >1000 lt)



**On request:**  
 "EASY CONTROL" Electronic Display mounted and connected.  
 Available as accessories – see page 70



**Technical descriptions**

Cordivari offers two types of coating/material suitable for drinking water according to D.M. N° 174 dated 16/04/04 for Accumulation Tanks:  
 - Stainless Steel 316L  
 - Carbon steel with internal Polywarm® coating

**Application**

Storage of sanitary hot water for domestic and industrial uses.

**Insulation**

50 mm soft polyurethane foam. Thermal conductivity: 0.038 W/mK.

**External lining**

Red SCAI Ral 3000 complete with top and flange cover.

**Drain**

Drain outside thanks to a connected pipe.

**Gasket-Flange Plate**

Silicone gaskets suitable for alimentary use for max temperature up to 200° C. (D.M. n.174 dated 2004);  
 • XC VT : stainless steel 316L flange cover  
 • WC VT : Polywarm® coated flange cover

**Cathode protection**

Magnesium anode Anoden Tester which allows to check easily the real consumption of the magnesium bar. For capacity > 1500lt n°2 magnesium anode. Electronic anode on request only for Polywarm® version (see page 71)



**Warranty**

- 5 years (Stainless Steel 316L)  
 - 5 years (Polywarm®)  
 See general sales conditions and warranty.

P.E.D. product planned and produced in conformity to the article 3.3 of directive 92/29/CE

Capacity	Net Volume	Df	De	H	A	H1	H2	H4	H6	H7	H15	H16	H17	5	2-3 11-13	14
[liters]	[liters]	[mm]													Connections Gas F	
200	188	450	550	1441	1463	64	316	401	511	751	//	1066	1176	Øe 300	1"1/4	1"1/4
300	289	550	650	1550	1578	123	400	485	595	835	//	1150	1260	Øe 300	1"1/4	1"1/4
500	497	650	750	1841	1873	114	416	501	611	976	//	1370	1526	Øe 300	1"1/4	1"1/4
800	789	750	850	2138	2174	101	433	568	718	1118	//	1638	1793	Øe 380	1"1/4	1"1/4
1000	1037	850	950	2192	2235	89	454	589	739	1139	//	1660	1814	Øe 380	1"1/2	1"1/2
1500	1489	950	1050	2497	2540	106	492	627	777	1302	//	1947	2102	Øe 380	1"1/2	2"
2000	2052	1100	1200	2574	2630	93	535	760	935	909	2000	1945	2125	Øe 430	2"	2"
3000	2982	1250	1350	2917	2982	137	603	828	1003	1028	2268	2285	2443	Øe 430	2"	2"
4000	4003	1450	1550	2922	3010	112	642	867	1042	1047	2257	2210	2382	Øe 430	2"	2"
5000	4934	1600	1700	2959	3061	92	646	871	1046	1051	2271	2241	2396	Øe 430	2"	2"