

VASO INERZIALE WC VT

INSULATED POLYWARM® D.H.W. ACCUMULATION TANK



POLYWARM®



STORAGE	
Pmax	Tmax
8 bar	90°C



PROMPT DELIVERY
*Grey highlighted products are
 dispatched in 1-5 working days.
 (Delivery time excluded)*

Capacity	VASO INERZ. WC VT	Weight
[liters]	ART. NR.	[Kg]
200	3060161620002	49
300	3060161620003	62
500	3060161620004	85
800	3060161620005	118
1000	3060161620006	155
1500	3060161620007	213
2000	3060161620008	258
3000	3060161620009	346
4000	3060161620010	528
5000	3060161620011	665

Technical descriptions

Carbon steel Polywarm® coated vertical tank suitable for drinkable water according to D.M. N 174 dated 16 04 04.

Application

Storage of sanitary hot water for domestic and industrial uses.

Insulation

50 mm soft polyester fibre with high Thermal insulation with Thermal conductivity: 0.035 W/mK. Fire resistance class B-s2d0 according to EN 13501.

External lining

PVC red Ral 3000 complete with top and flange cover.

Drain pipe

External confluence through jointable pipe.

Cathode protection

Magnesium anode with Anoden-tester which facilitates an easy check of the magnesium bar condition. For capacity > 1500lt n°2 magnesium anode.

Electronic anode on request (see page 75)

Gasket-Flange Plate

- Silicone gaskets suitable for alimentary use for max temperature up to 200°C. (D.M. n.174 dated 2004);

- Polywarm® flange.

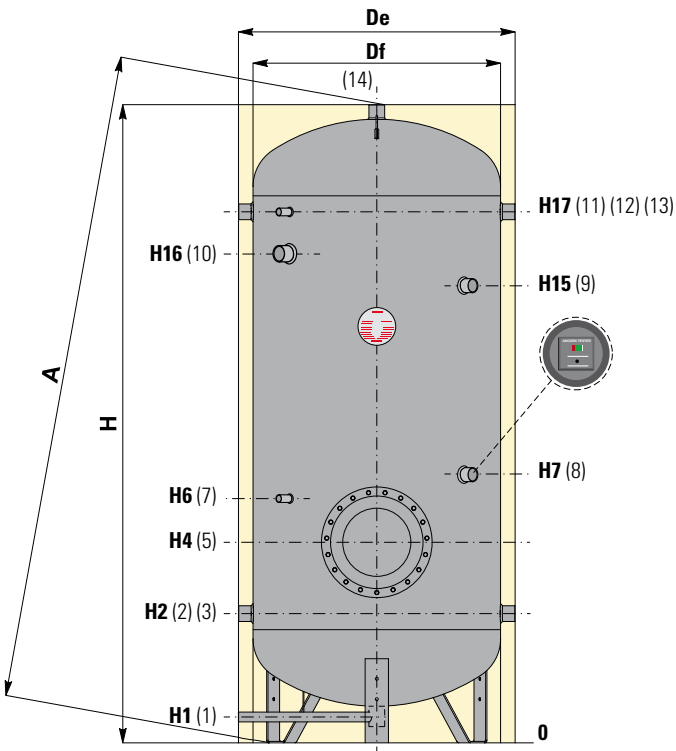
Warranty

- 5 years (Polywarm®)

See general sales conditions and warranty.



STAINLESS STEEL VERSION
 AVAILABLE ON REQUEST

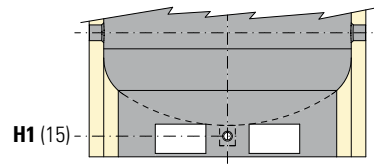
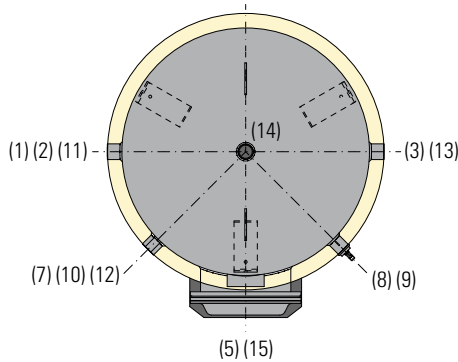


CONNECTIONS	
1	Drain 3/4" Gas F (from 200 to 1000 lt)
2	Domestic Cold Water Circuit Inlet
3	Delivery to external heat exchanger
5	Blind flange for inspection
7	Connection for thermostat 1/2" Gas F
8	Connection for magnesium anode 1" 1/4 Gas F
9	Connection to 2nd anode 1" 1/4 Gas F (available only on >1500 lt)
10	Connection for electrical immersion resistance 1" 1/2 Gas F for capacities > 800 Lt connection 2" Gas F
11	Connection for recirculation
12	Connection for 1/2" Gas thermometer
13	Backflow external heat exchanger
14	Domestic Hot water outlet
15	Drain 1" Gas F (only for capacities >1000 lt)



On request:
"EASY CONTROL" Electronic Display mounted and connected.

ART. NR. 5005000310001



Tanks from 1500 to 5000 liters (Polywarm® version) have two grips on the bottom which allows the use of forklift when handling.

Capacity	Net Volume	Df	De	H	A	H1	H2	H4	H6	H7	H15	H16	H17	5	2-3 11-13	14
[liters]	[liters]	[mm]													CONNECTIONS Gas F	
200	188	450	550	1441	1463	64	316	401	511	751	//	1066	1176	Øe 300	1"1/4	1"1/4
300	289	550	650	1550	1578	123	400	485	595	835	//	1150	1260	Øe 300	1"1/4	1"1/4
500	497	650	750	1841	1873	114	416	501	611	976	//	1370	1526	Øe 300	1"1/4	1"1/4
800	789	750	850	2138	2174	101	433	568	718	1118	//	1638	1793	Øe 380	1"1/4	1"1/4
1000	1037	850	950	2192	2235	89	454	589	739	1139	//	1660	1814	Øe 380	1"1/2	1"1/2
1500	1489	950	1050	2497	2540	106	492	627	777	1302	//	1947	2102	Øe 380	1"1/2	2"
2000	2052	1100	1200	2574	2630	93	535	760	935	909	2000	1945	2125	Øe 430	2"	2"
3000	2982	1250	1350	2917	2982	137	603	828	1003	1028	2268	2285	2443	Øe 430	2"	2"
4000	4003	1450	1550	2922	3010	112	642	867	1042	1047	2257	2210	2382	Øe 430	2"	2"
5000	4934	1600	1700	2959	3061	92	646	871	1046	1051	2271	2241	2396	Øe 430	2"	2"