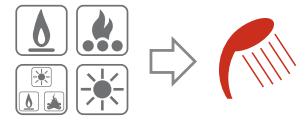


EXTRA 2 XXC VT

INSULATED STAINLESS STEEL 316L CALORIFIERS
WITH 2 EXTRACTABLE HEAT EXCHANGERS



STAINLESS STEEL 316L



STORAGE		EXCHANGER	
Pmax	Tmax	Pmax	Tmax
8 bar	95°C	12 bar	110°C

For temperature of exchanger > 110°C
see page 102

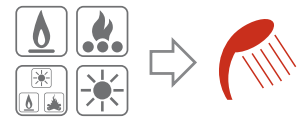
For those products available
on request, prices and delivery
time should be agreed when
ordering.

Capacity	EXTRA2 XXC VT STAINLESS STEEL 316L EXCHANGERS	Heat Exchangers Surface		Weight
		Lower	Upper	
[liters]	ART. NR.	[m ²]		[Kg]
200	3082052300001	0,5	0,5	76,8
300	3082052300002	0,75	0,75	96,6
500	3082052300003	1,5	1,5	134,0
1000	3082052300005	3	2	223,3
1500	3082052300006	3	3	312,1
2000	3082052300007	4	4	396,8
3000	3082052300009	5	5	582,4
4000	3082052300010	8	8	771,4
5000	3082052300012	10	10	891,8

For capacity from 1000 to 5000 litres, Pmax 6 bar also available

EXTRA 2 WRC/WXC VT

INSULATED POLYWARM® CALORIFIERS
WITH 2 EXTRACTABLE HEAT EXCHANGERS



POLYWARM®



STORAGE		EXCHANGER	
Pmax	Tmax	Pmax	Tmax
8 bar	90°C	12 bar	110°C

For temperature of exchanger > 110°C
see page 102

Capacity	EXTRA2 WRC VT COPPER EXCHANGERS	EXTRA2 WXC VT STAINLESS STEEL 316L EXCHANGERS	Heat Exchangers Surface		Weight
			Lower	Upper	
[liters]	ART. NR.	ART. NR.	[m ²]		[Kg]
200	3082162350001	3082162360001	0,5	0,5	79,8
300	3082162350002	3082162360002	0,75	0,75	96,6
500	3082162350003	3082162360003	1,5	1,5	149
800	3082162350004	3082162360004	2	2	199
1000	3082162350005	3082162360005	3	2	247,3
1500	3082162350006	3082162360006	3	3	314,1
2000	3082162350007	3082162360007	4	4	403,8
3000	3082162350009	3082162360009	5	5	492,4
4000	3082162350010	3082162360010	8	8	729,4
5000	3082162350012	3082162360012	10	10	887,8

Even if tanks are tested to resist from Max temperature 60°C to 90°C, the local legislation has always to be observed during the use.



PROMPT DELIVERY
Grey highlighted products are
dispatched in 1-5 working days.
(Delivery time excluded)

Technical descriptions

Stainless steel 316L or carbon steel Polywarm® coated vertical calorifier suitable for drinkable water according to D.M N 174 dated 16 04 04.

The thermal exchanger is ensured by the innovative Heat Exchanger for legionellosis-prophylaxis, with tubes bent to the bottom, reducing legionellosis bacteria's diffusion and improving the heating performance.

Application

Production and Storage of sanitary hot water for domestic and industrial uses.

Insulation

50 mm soft polyester fibre with high Thermal insulation with

Thermal conductivity: 0.035 W/mK. Fire resistance class B-s2d0 according to EN 13501.

External lining

PVC red Ral 3000 complete with top and flange cover.

Drain pipe

External confluence through jointable pipe.

Heat exchanger:

- Lower Legionellosis prophylaxis coil
Stainless Steel 316L or Copper Curved Pipe, suitable for drinking water according to D.M N 174 dated 16 04 04.
- Upper straight coil
Stainless Steel 316L or Copper Pipe.

Cathode protection

Magnesium anode with Anoden-tester which facilitates an easy check of the magnesium bar condition. For capacity > 1500lt n°2 magnesium anode.

Electronic anode on request (see page 75)

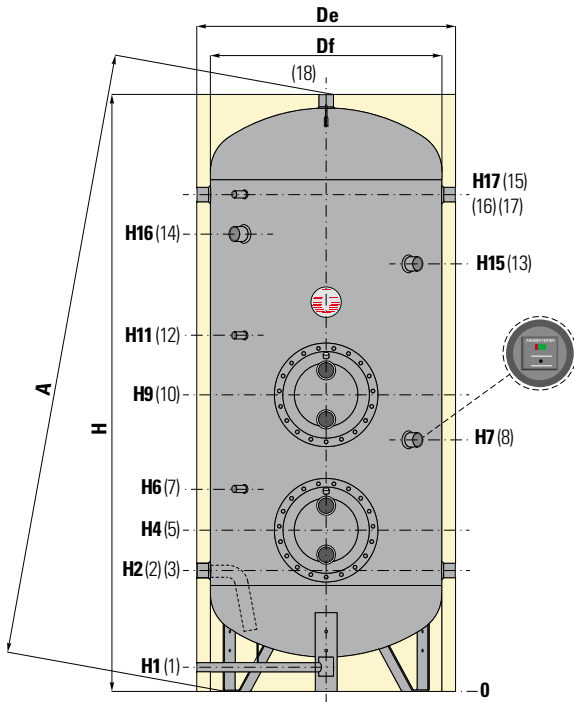
Gasket-Flange Plate

- Silicone gaskets suitable for alimentary use for max temperature up to 200°C. (D.M. n.174 dated 2004);
- Flange plate.

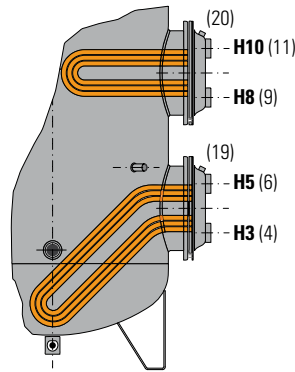
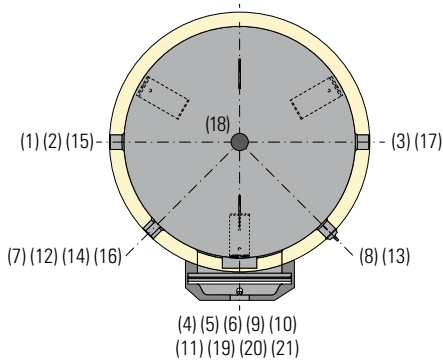
Warranty

- 5 years (Polywarm® - Stainless Steel 316L)
- See general sales conditions and warranty.

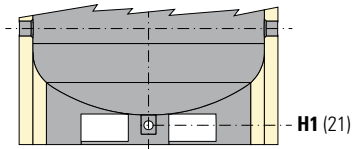
For graphics and exchanger pressure loss data see page 104



CONNECTIONS	
1	Drain 3/4" Gas F (from 200 to 1000lt)
2	Domestic Cold Water Circuit Inlet
3	Alternative Domestic Cold Water Circuit Inlet or connection for more boilers
4	Primary Circuit Outlet – Lower Exchanger
5	Lower exchanger Flange
6	Primary Circuit Inlet – Lower exchanger
7-12	Connection for thermostat 1/2" Gas F
8	Connection for magnesium anode 1" 1/4 Gas F
9	Primary Circuit Outlet – Upper Exchanger
10	Upper Exchanger Flange
11	Primary Circuit Inlet – Upper Exchanger
13	Connection for the 2nd anode 1" 1/4 Gas F (available only on >1500 lt)
14	Connection for electrical immersion resistance 1" 1/2 Gas F for capacities > 800 Lt connection 2" Gas F
15-17	Connection for recirculation or for Domestic Hot water delivery
16	Connection for thermometer 1/2" Gas F
18	Domestic Hot water outlet
19-20	Air Ventil Heat Exchagers 3/8" Gas F
21	Drain 1" Gas F (only for capacities >1000 lt)



Tanks from 1500 to 5000 liters (Polywarm® version) have two grippes on the bottom which allows the use of forklift when handling.



P.E.D. product planned and produced in conformity to the article 3.3 of directive 92/23/CE

Cap.	Net Volume	Df	De	H	A	H1	H2	H3	H4	H5	H6	H7	H8	H9	H10	H11	H15	H16	H17	5-10	2-3 15-17	4-6 9-11	18	
[liters]	[liters]	[mm]																			CONNECTIONS Gas F			
200	188	450	550	1441	1463	64	316	351	401	451	511	701	801	851	901	961	//	1066	1176	Øe 300	1" 1/4	1"	1" 1/4	
300	289	550	650	1550	1578	123	400	435	485	535	595	785	885	935	985	1045	//	1150	1260	Øe 300	1" 1/4	1"	1" 1/4	
500	497	650	750	1841	1873	114	416	451	501	551	611	801	901	951	1001	1061	//	1370	1526	Øe 300	1" 1/4	1"	1" 1/4	
800	789	750	850	2138	2174	101	433	478	568	658	718	898	1028	1118	1208	1268	//	1638	1793	Øe 380	1" 1/4	2"	1" 1/4	
1000	1037	850	950	2192	2235	89	454	499	589	679	739	989	1049	1139	1229	1289	//	1660	1814	Øe 380	1" 1/2	2"	1" 1/2	
1500	1489	950	1050	2497	2540	106	493	538	628	718	778	1128	1213	1303	1393	1453	//	1948	2103	Øe 380	1" 1/2	2"	2"	
2000	2052	1100	1200	2574	2630	93	535	655	760	865	935	909	1225	1330	1435	1505	2000	1945	2125	Øe 430	2"	2"	2"	
3000	2983	1250	1350	2917	2982	137	604	724	829	934	1004	1028	1424	1529	1634	1704	2269	2285	2444	Øe 430	2"	2"	2"	
4000	4003	1450	1550	2922	3010	112	642	762	867	972	1042	1047	1304	1567	1514	1742	2257	2210	2382	Øe 430	2"	2"	2"	
5000	4935	1600	1700	2959	3061	92	646	766	871	976	1046	1051	1466	1571	1676	1746	2271	2241	2396	Øe 430	2"	2"	2"	