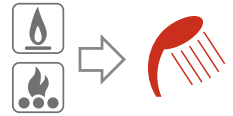


EXTRA 1 XXC VT
INSULATED STAINLESS STEEL 316L CALORIFIERS
WITH 1 EXTRACTABLE HEAT EXCHANGER 316L



STAINLESS STEEL 316L



Heat exchangers with different surface and ignition time are available on demand.



PROMPT DELIVERY
Grey highlighted products are dispatched in 1-5 working days. (Delivery time excluded)

STORAGE		EXCHANGER	
Pmax	Tmax	Pmax	Tmax
8 bar	95°C	12 bar	110°C

For temperature of exchanger > 110°C see page 102

Capacity	EXTRA1 XXC VT STAINLESS STEEL	Heat Exchanger Surface	Weight
[liters]	ART. NR.	[m ²]	[Kg]
200	3072052300002	0,5	59
300	3072052300003	0,75	74
500	3072052300004	1	98
1000	3072052300006	2	176
1500	3072052300007	3	264
2000	3072052300008	4	327
3000	3072052300010	5	511
4000	3072052300011	8	676
5000	3072052300013	10	779

For capacity from 1000 to 5000 litres storage Pmax 6 bar also available

EXTRA 1 WRC/WXC VT
INSULATED POLYWARM® CALORIFIERS
WITH 1 EXTRACTABLE HEAT EXCHANGER (STAINLESS STEEL 316L OR COPPER)

POLYWARM®



Heat exchangers with different surface and ignition time are available on demand.

STORAGE		EXCHANGER	
Pmax	Tmax	Pmax	Tmax
8 bar	90°C	12 bar	110°C

For temperature of exchanger > 110°C see page 102

Capacity	EXTRA1 WRC VT COPPER EXCHANGER	EXTRA1 WXC VT STAINLESS STEEL 316L EXCHANGER	Heat Exchanger Surface	Weight
	ART. NR.	ART. NR.		
[liters]			[m ²]	[Kg]
200	3072162350002	3072162360002	0,5	61
300	3072162350003	3072162360003	0,75	74
500	3072162350004	3072162360004	1	108
800	3072162350005	3072162360005	1,5	156
1000	3072162350006	3072162360006	2	198
1500	3072162350007	3072162360007	3	264
2000	3072162350008	3072162360008	4	334
3000	3072162350009	3072162360009	5	519
4000	3072162350010	3072162360010	8	633
5000	3072162350012	3072162360012	10	775
2000	on request	3072162361108	2	265
3000	on request	3072162361109	2,5	436
5000	on request	3072162361112	5	691



MD6

NEW

Calorifiers EXTRA 1 MD6 WXC with 1 stainless steel 316L straight exchanger - storage Pmax: 6 bar

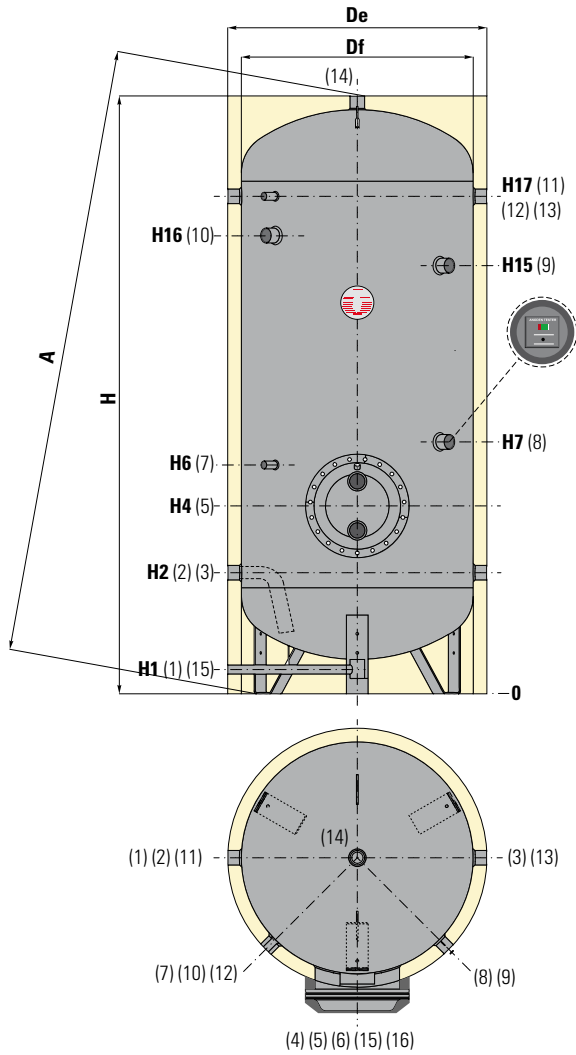
Datas have been calculated on following basis:

- 1) Primary circuit at 80°C and proper energy source;
- 2) Production of DHW in continue way from 10 to 45°C.
- 3) DHW that can be taken in the fist 10' and in the first hour from storage at 60°C, input 10°C and output 45°C;
- 4) Sanitary water according to UNI CTI 8065.

Even if tanks are tested to resist till Max temperature the local legislation has always to be observed during the use.3

Capacity	Ignition Time	Output	Continous production of DHW	Storage volume	DHW produced in the first 10 Min.	DHW produced in the first hour	Flow rate	Exchanger pressure loss	
								[mm.H2O]	[mbar]
[liters]	[min]	[KW]	[lt/h]	[liters]	[liters]	[liters]	[m ³ /h]		
200	49	18	455	190	347	635	2	309	30,3
300	48	28	701	285	524	968	3	372	36,5
500	60	38	947	480	844	1443	4	419	41,1
1000	54	86	2127	995	1776	3123	10	1380	135,3
1500	53	133	3290	1490	2677	4761	15	2295	225,1
2000	52	180	4453	1975	3564	6384	20	2996	293,8
3000	65	216	5361	2975	5144	8539	20	2436	238,9
4000	57	330	8168	3890	6918	12092	20	3896	382,1
5000	60	401	9921	4890	8639	14923	20	4707	461,6
2000	98	94	2328	1975	3209	4684	15	5210	510,0
3000	121	116	2871	2975	4729	6547	15	3779	370,6
5000	108	216	5348	4890	7877	11264	20	2436	238,9

MD6

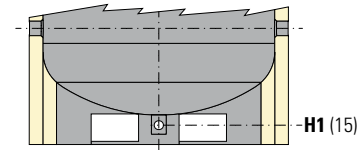


CONNECTIONS	
1	Drain 3/4" Gas F (from 200 to 1000 Lt)
2	Domestic Cold Water Circuit Inlet
3	Alternative Domestic Cold Water Circuit Inlet or connection for more boilers
4	Primary Circuit Outlet
5	Heat Exchanger Flange
6	Primary Circuit Inlet
7	Connection for thermostat 1/2" Gas F
8	Connection for magnesium anode 1" 1/4 Gas F
9	Connection for 2nd Anode 1" 1/4 Gas F (only for capacity over 1500 Lt)
10	Connection for electrical immersion resistance 1" 1/2 Gas F for capacities > 800 Lt connection 2" Gas F
11 - 13	Connection for recirculation or for Domestic Hot water delivery
12	Connection for thermometer 1/2" Gas F
14	Domestic Hot Water Circuit Outlet
15	Drain 1" Gas F (only for capacities >1000 lt)
16	Air Ventil Heat Exchanger 3/8" Gas F



On request:
 "EASY CONTROL" Electronic Display mounted and connected.
 ART. NR.
 5005000310001

Tanks from 1500 to 5000 liters (Polywarm® version) have two grippes on the bottom which allows the use of forklift when handling.



Technical descriptions

Stainless steel 316L or carbon steel Polywarm® coated vertical calorifier suitable for drinkable water according to D.M. N 174 dated 16 04 04.

The thermal exchanger is ensured by the innovative Heat Exchanger for legionellosis-prophylaxis, with tubes bent to the bottom, reducing legionellosis bacteria's diffusion and improving the heating performance.

Application

Production and Storage of sanitary hot water for domestic and industrial uses.

Insulation

50 mm soft polyester fibre with high Thermal insulation with

Thermal conductivity: 0.035 W/mK. Fire resistance class B-s2d0 according to EN 13501.

External lining

PVC red Ral 3000 complete with top and flange cover.

Drain pipe

External confluence through jointable pipe.

Heat exchanger:

Curved Legionella prophylaxis type in Stainless Steel 316L or Copper suitable for potable water in accordance with D.M. N° 174 dated 16 04 04.

Thanks to the Antilegionella heat exchanger the ignition time refers to the total volume of the tank. With straight exchanger time refers to 85% of the volume.

Cathode protection

Magnesium anode with Anoden-tester which facilitates an easy check of the magnesium bar condition. For capacity > 1500lt n°2 magnesium anode.

Electronic anode on request (see page 75)

Gasket-Flange Plate

- Silicone gaskets suitable for alimentary use for max temperature up to 200°C. (D.M. n.174 dated 2004);

- Flange plate.

Warranty

- 5 years (Polywarm® - Stainless Steel 316L)

See general sales conditions and warranty.

Capacity	Net Volume	Df	De	H	A	H1	H2	H3	H4	H5	H6	H7	H15	H16	H17	5	2-3 11-13	14	
[liters]	[liters]	[mm]																	CONNECTIONS Gas F

STAINLESS STEEL 316L	200	188	450	550	1441	1463	64	316	351	401	451	511	751	//	1066	1176	Øe 300	1"1/4	1"1/4
	300	289	550	650	1550	1578	123	400	435	485	535	595	835	//	1150	1260	Øe 300	1"1/4	1"1/4
	500	497	650	750	1841	1873	114	416	451	501	551	611	976	//	1370	1526	Øe 300	1"1/4	1"1/4
	1000	1037	850	950	2192	2235	89	454	499	589	679	739	1139	//	1660	1814	Øe 380	1"1/2	1"1/2
	1500	1489	950	1050	2495	2540	72	480	525	615	705	765	1290	//	1935	2090	Øe 380	1"1/2	2"
	2000	2052	1100	1200	2517	2576	54	535	612	717	822	892	867	1957	1905	2082	Øe 430	2"	2"
	3000	2983	1250	1350	2891	2958	82	603	688	793	898	968	993	2233	2249	2408	Øe 430	2"	2"
4000	4003	1450	1550	2860	2950	57	642	715	820	925	995	1000	2210	2163	2335	Øe 430	2"	2"	
5000	4935	1600	1700	2925	3032	36	646	732	837	942	1012	1017	2237	2207	2362	Øe 430	2"	2"	
POLYWARM®	200	188	450	550	1441	1463	64	316	351	401	451	511	751	//	1066	1176	Øe 300	1"1/4	1"1/4
	300	289	550	650	1550	1578	123	400	435	485	535	595	835	//	1150	1260	Øe 300	1"1/4	1"1/4
	500	497	650	750	1841	1873	114	416	451	501	551	611	976	//	1370	1526	Øe 300	1"1/4	1"1/4
	800	789	750	850	2138	2174	101	433	478	568	658	718	1118	//	1638	1793	Øe 380	1"1/4	1"1/4
	1000	1037	850	950	2192	2235	89	454	499	589	679	739	1139	//	1660	1814	Øe 380	1"1/2	1"1/2
	1500	1489	950	1050	2497	2540	106	492	537	627	717	777	1302	//	1947	2102	Øe 380	1"1/2	2"
	2000	2052	1100	1200	2574	2630	93	535	655	760	865	935	909	2000	1945	2125	Øe 430	2"	2"
3000	2983	1250	1350	2917	2982	137	603	723	828	933	1003	1028	2268	2285	2443	Øe 430	2"	2"	
4000	4003	1450	1550	2922	3010	112	642	762	867	972	1042	1047	2257	2210	2382	Øe 430	2"	2"	
5000	4935	1600	1700	2959	3061	92	646	766	871	976	1046	1051	2271	2241	2396	Øe 430	2"	2"	