

BOL. EXTRA 1 WRC/WXC VT

INSULATED POLYWARM® CALORIFIERS WITH 1 EXTRACTABLE HEAT EXCHANGER

POLYWARM®



EXTRA 1 L



EXTRA 1 M

| STORAGE | | EXCHANGER | |
|---------|-------|-----------|-------|
| Pmax | Tmax | Pmax | Tmax |
| 8 bar | 90° C | 12 bar | 99° C |

| Capacity [liters] | BOL. EXTRA1 WRC VT COPPER EXCHANGER | BOL. EXTRA1 WXC VT STAINLESS STEEL 316L EXCHANGER | Heat Exchanger Surface [m²] | Weight [Kg] |
|----------------------|--|--|-----------------------------------|----------------|
| | ART. NR. | ART. NR. | | |
| 200 | 3072162350002 | 3072162360002 | 0,5 | 61 |
| 300 | 3072162350003 | 3072162360003 | 0,75 | 74 |
| 500 | 3072162350004 | 3072162360004 | 1 | 108 |
| 800 | 3072162350005 | 3072162360005 | 1,5 | 156 |
| 1000 | 3072162350006 | 3072162360006 | 2 | 198 |
| 1500 | 3072162350007 | 3072162360007 | 3 | 264 |
| 2000 | 3072162350008 | 3072162360008 | 4 | 334 |
| 3000 | 3072162350009 | 3072162360009 | 5 | 519 |
| 4000 | 3072162350010 | 3072162360010 | 8 | 633 |
| 5000 | 3072162350012 | 3072162360012 | 10 | 775 |
| 1500 | 3072162351007 | 3072162361007 | 1,5 | 242 |
| 2000 | 3072162351008 | 3072162361008 | 2 | 307 |
| 3000 | 3072162351009 | 3072162361009 | 2,5 | 507 |
| 4000 | 3072162351010 | 3072162361010 | 4 | 604 |
| 5000 | 3072162351012 | 3072162361012 | 5 | 734 |



PROMPT DELIVERY
Grey highlighted products are dispatched in 1-5 working days. (Delivery time excluded)

Technical descriptions

Carbon steel Polywarm® coated vertical calorifier suitable for drinkable water according to D.M. N 174 dated 16 04 04.

The thermal exchanger is ensured by the innovative Heat Exchanger for legionellosis-prophylaxis, with tubes bent to the bottom, reducing legionellosis bacteria's diffusion and improving the heating performance.

Application

Production and Storage of sanitary hot water for domestic and industrial uses.

Insulation

50 mm soft polyurethane foam. Thermal conductivity: 0.038 W/mK.

External lining

SCAI red Ral 3000 complete with upper trims and flange cover.

Drain pipe

External confluence through jointable pipe.

Warranty

- 5 years
See general sales conditions and warranty.

Heat exchanger:

Curved Legionella prophylaxis type in Stainless Steel 316L or Copper suitable for potable water in accordance with D.M. N° 174 dated 16 04 04.

Thanks to the Antilegionella heat exchanger the ignition time refers to the total volume of the tank. With straight exchanger time refers to 85% of the volume.

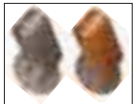
Cathode protection

Magnesium anode with Anoden-tester which facilitates an easy check of the magnesium bar condition. For capacity > 1500lt n°2 magnesium anode.

Electronic anode on request (see page 71)

Gasket-Flange Plate

- Silicone gaskets suitable for alimentary use for max temperature up to 200° C. (D.M. n.174 dated 2004);
- Corrosion proofing flange cover.



Datas have been calculated on following basis:

- 1) Primary circuit at 80°C and proper energy source;
- 2) Production of DHW in continue way from 10 to 45°C.
- 3) DHW that can be taken in the first 10' and in the first hour from storage at 60°C, input 10°C and output 45°C;
- 4) Sanitary water not scaling.

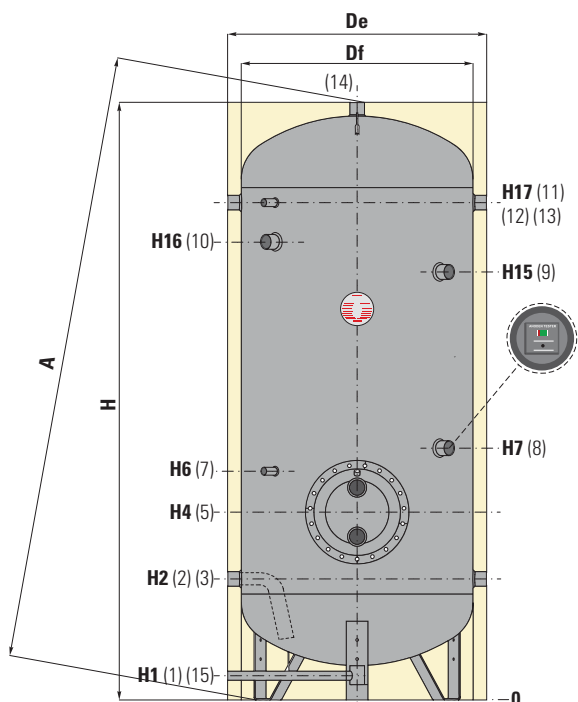
Even if tanks are tested to resist from Max temperature 60°C to 95°C, the local legislation has always to be observed during the use.

EXTRA 1 L

| Capacity [liters] | Ignition Time [min] | Output [KW] | Continous production of DHW [lt/h] | Storage volume [liters] | DHW produced in the first | | Flow rate [m³/h] | Exchanger pressure loss | |
|----------------------|------------------------|----------------|--|-------------------------------|---------------------------|------------------------|------------------------|-------------------------|--------|
| | | | | | 10 Min. [liters] | first hour [liters] | | [mm.c.a.] | [mbar] |
| 200 | 49 | 18 | 455 | 190 | 347 | 635 | 2 | 309 | 30,3 |
| 300 | 48 | 28 | 701 | 285 | 524 | 968 | 3 | 372 | 36,5 |
| 500 | 60 | 38 | 947 | 480 | 844 | 1443 | 4 | 419 | 41,1 |
| 800 | 59 | 59 | 1466 | 740 | 1301 | 2230 | 6 | 718 | 70,4 |
| 1000 | 54 | 86 | 2127 | 995 | 1776 | 3123 | 10 | 1380 | 135,3 |
| 1500 | 53 | 133 | 3290 | 1490 | 2677 | 4761 | 15 | 2295 | 225,1 |
| 2000 | 52 | 180 | 4453 | 1975 | 3564 | 6384 | 20 | 2996 | 293,8 |
| 3000 | 65 | 216 | 5361 | 2975 | 5144 | 8539 | 20 | 2436 | 238,9 |
| 4000 | 57 | 330 | 8168 | 3890 | 6918 | 12092 | 20 | 3896 | 382,1 |
| 5000 | 60 | 401 | 9921 | 4890 | 8639 | 14923 | 20 | 4707 | 461,6 |

EXTRA 1 M

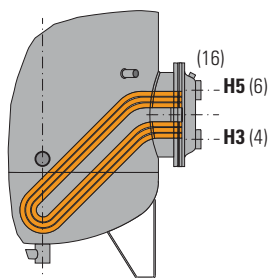
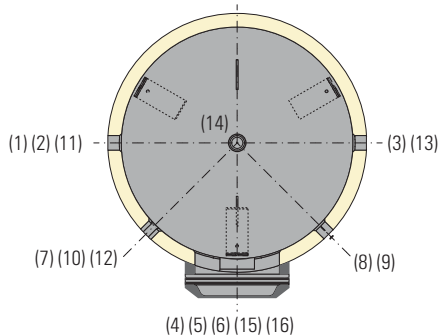
| | | | | | | | | | |
|------|-----|-----|------|------|------|-------|----|------|-------|
| 1500 | 95 | 59 | 1813 | 1490 | 2431 | 3579 | 15 | 4346 | 426,2 |
| 2000 | 98 | 94 | 2328 | 1975 | 3209 | 4684 | 15 | 5210 | 510,0 |
| 3000 | 121 | 116 | 2871 | 2975 | 4729 | 6547 | 15 | 3779 | 370,6 |
| 4000 | 102 | 180 | 4453 | 3890 | 6299 | 9120 | 20 | 2996 | 293,8 |
| 5000 | 108 | 216 | 5348 | 4890 | 7877 | 11264 | 20 | 2436 | 238,9 |



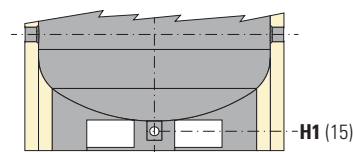
| CONNECTIONS | |
|-------------|--|
| 1 | Drain 3/4" Gas F (from 200 to 1000 Lt) |
| 2 | Domestic Cold Water Circuit Inlet |
| 3 | Alternative Domestic Cold Water Circuit Inlet or connection for more boilers |
| 4 | Primary Circuit Outlet |
| 5 | Heat Exchanger Flange |
| 6 | Primary Circuit Inlet |
| 7 | Connection for thermostat 1/2" Gas F |
| 8 | Connection for magnesium anode 1" 1/4 Gas F |
| 9 | Connection for 2nd Anode 1" 1/4 Gas F (only for capacity over 1500 Lt) |
| 10 | Connection for electrical immersion resistance 1" 1/2 Gas F |
| 11 - 13 | Connection for recirculation or for Domestic Hot water delivery |
| 12 | Connection for thermometer 1/2" Gas F |
| 14 | Domestic Hot Water Circuit Outlet |
| 15 | Drain 1" Gas F (only for capacities >1000 Lt) |
| 16 | Air Ventil Heat Exchanger 3/8" Gas F |



On request:
"EASY CONTROL" Electronic Display mounted and connected.
Available as accessories – see page 70



Tanks from 1500 to 5000 liters (Polywarm® version) have two grippos on the bottom which allows the use of forklift when handling.



| Capacity | Net Volume | Df | De | H | A | H1 | H2 | H3 | H4 | H5 | H6 | H7 | H15 | H16 | H17 | 5 | 2-3 11-13 | 14 |
|----------|------------|------|------|------|------|-----|-----|-----|-----|-----|------|------|------|------|------|-------------|--------------|-------|
| [liters] | [liters] | [mm] | | | | | | | | | | | | | | Conn. Gas F | | |
| 200 | 188 | 450 | 550 | 1441 | 1463 | 64 | 316 | 351 | 401 | 451 | 511 | 751 | // | 1066 | 1176 | Øe 300 | 1"1/4 | 1"1/4 |
| 300 | 289 | 550 | 650 | 1550 | 1578 | 123 | 400 | 435 | 485 | 535 | 595 | 835 | // | 1150 | 1260 | Øe 300 | 1"1/4 | 1"1/4 |
| 500 | 497 | 650 | 750 | 1841 | 1873 | 114 | 416 | 451 | 501 | 551 | 611 | 976 | // | 1370 | 1526 | Øe 300 | 1"1/4 | 1"1/4 |
| 800 | 789 | 750 | 850 | 2138 | 2174 | 101 | 433 | 478 | 568 | 658 | 718 | 1118 | // | 1638 | 1793 | Øe 380 | 1"1/4 | 1"1/4 |
| 1000 | 1037 | 850 | 950 | 2192 | 2235 | 89 | 454 | 499 | 589 | 679 | 739 | 1139 | // | 1660 | 1814 | Øe 380 | 1"1/2 | 1"1/2 |
| 1500 | 1489 | 950 | 1050 | 2497 | 2540 | 106 | 492 | 537 | 627 | 717 | 777 | 1302 | // | 1947 | 2102 | Øe 380 | 1"1/2 | 2" |
| 2000 | 2052 | 1100 | 1200 | 2574 | 2630 | 93 | 535 | 655 | 760 | 865 | 935 | 909 | 2000 | 1945 | 2125 | Øe 430 | 2" | 2" |
| 3000 | 2983 | 1250 | 1350 | 2917 | 2982 | 137 | 603 | 723 | 828 | 933 | 1003 | 1028 | 2268 | 2285 | 2443 | Øe 430 | 2" | 2" |
| 4000 | 4003 | 1450 | 1550 | 2922 | 3010 | 112 | 642 | 762 | 867 | 972 | 1042 | 1047 | 2257 | 2210 | 2382 | Øe 430 | 2" | 2" |
| 5000 | 4935 | 1600 | 1700 | 2959 | 3061 | 92 | 646 | 766 | 871 | 976 | 1046 | 1051 | 2271 | 2241 | 2396 | Øe 430 | 2" | 2" |