

# COMMERCIAL ELECTRIC WATER HEATERS

MODELS SME-150 THRU SME-1000



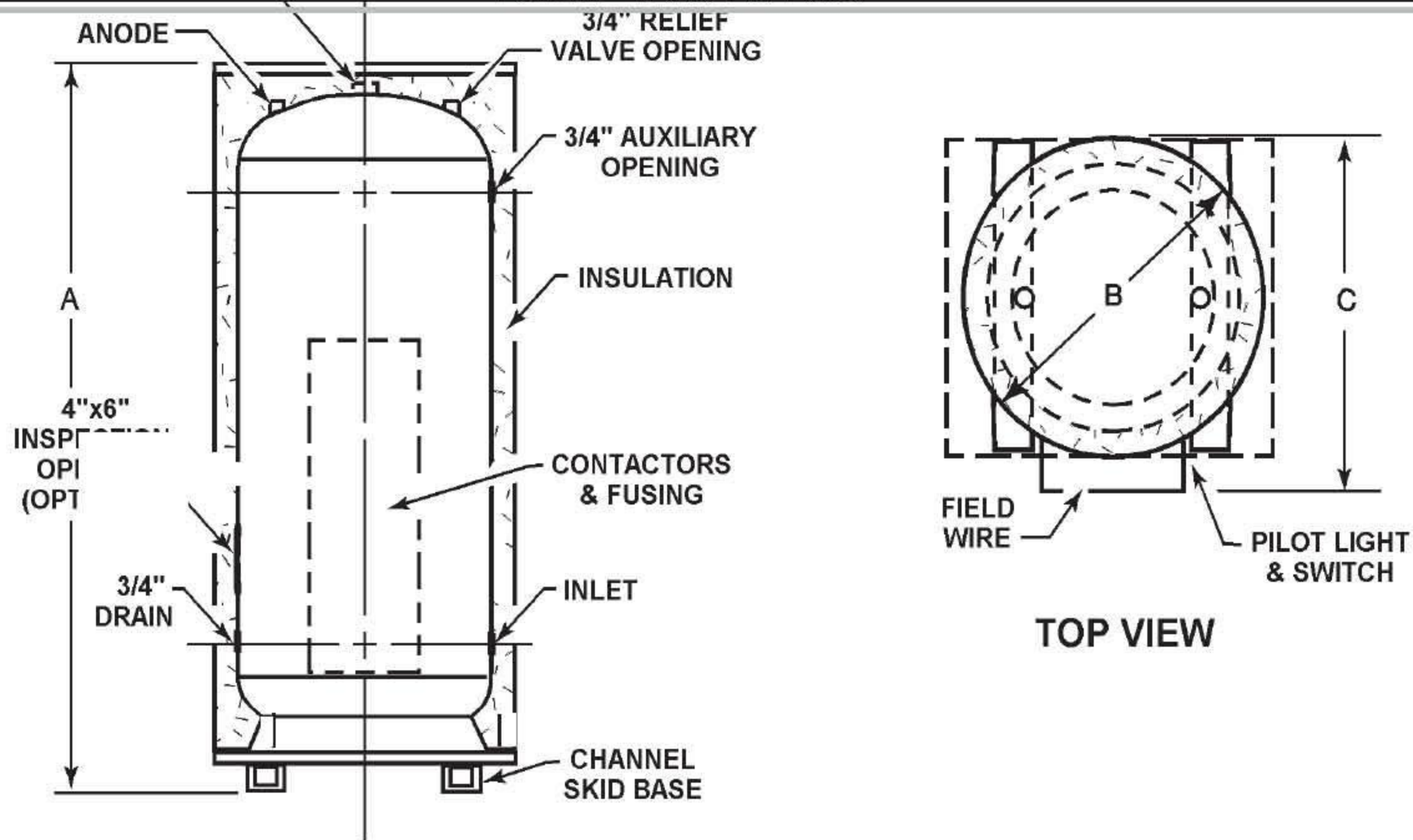
A DIVISION OF A.O. SMITH CORPORATION  
RENTON, WASHINGTON

## ASME

Thank you for buying this energy efficient water heater from State Water Products Company. We appreciate your confidence in our products.



# DIMENSIONS



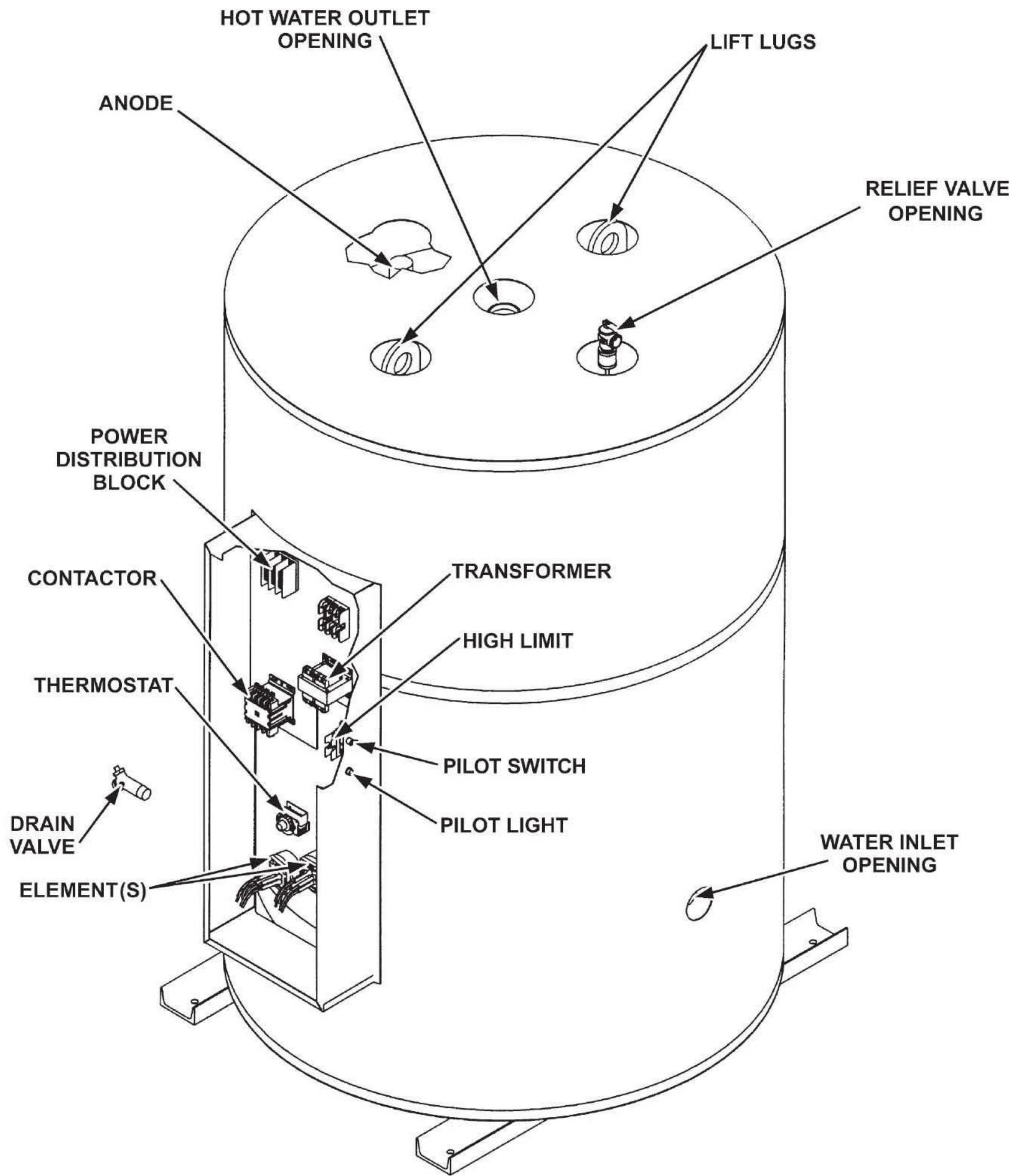
Gallons	Height "A" (inches)	Width "B" (inches)	Depth "C" (inches)	Inlet - Outlet (Inches NPT)	Relief Opening (Inches NPT)	Drain Opening (Inches NPT)	Auxiliary Opening (inches NPT)
150	82	28	34	1 1/4"	3/4"	3/4"	3/4"
250	65	40	46	1 1/2"	3/4"	3/4"	3/4"
350	68	46	52	2"	3/4"	3/4"	3/4"
450	84	46	52	2"	3/4"	3/4"	3/4"
550	82	52	58	2"	1"	3/4"	3/4"
650	76	58	64	2"	1"	3/4"	3/4"
800*	77	64	70	2"	1"	3/4"	3/4"
1000*	80	70	76	3"	1"	3/4"	3/4"

\* Will have square jacket.

GALLON/ SIZE	Standard KW Ratings	Number of Immersion Heaters	BTU Input	GPH Recovery	Number of 50A Contactors		Amperage Draw				
					220V - 240V 3 Phase	380V - 480V 3 Phase	220V-3ph	240V-3ph	380V-3ph	415V-3ph	480V-3ph
150-1000	15	1	51,195	61	1	1	39	36	23	21	18
150-1000	30	2	102,390	122	2	1	79	72	46	42	36
150-1000	45	3	153,585	183	3	2	118	108	68	63	54
150-1000	60	4	204,780	244	4	2	157	144	91	83	72
150-1000	75	5	255,975	305	5	3	197	180	114	104	90
150-1000	90	6	307,170	366	6	3	236	217	137	125	108
350-1000	105	7	358,365	427	7	4	276	253	160	146	126
350-1000	120	8	409,560	488	8	4	315	289	182	167	144
550-1000	135	9	460,755	549	9	5	354	325	205	188	162
550-1000	150	10	511,950	610	10	5	394	361	228	209	180
550-1000	165	11	563,145	671	11	6	433	397	251	230	198
550-1000	180	12	614,340	732	12	6	472	433	273	250	217



A DIVISION OF A.O. SMITH CORPORATION  
RENTON, WASHINGTON



A DIVISION OF A.O. SMITH CORPORATION  
 RENTON, WASHINGTON