

KAIROS THERMO DIRECT

150/1 TR - 200/1 TR - 300/2 TR



Natural circulation direct solar system for the production of domestic hot water

- NO GLYCOL
- NO HEAT STRESS
- EASY TO INSTALL



HIGH ABSORPTION



MINERAL WOOL INSULATION



LONG DURATION



CORROSION-PROOF

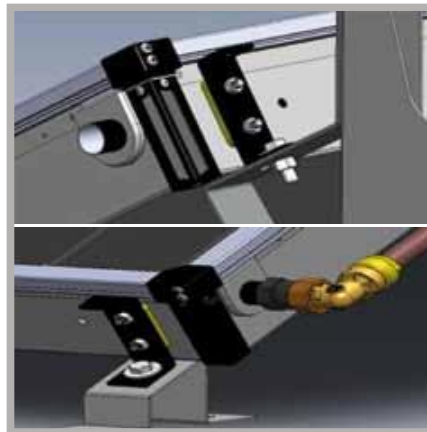


HAIL-PROOF



HIGH EFFICIENCY

HIGH EFFICIENCY



simple
and
efficient

Technical data

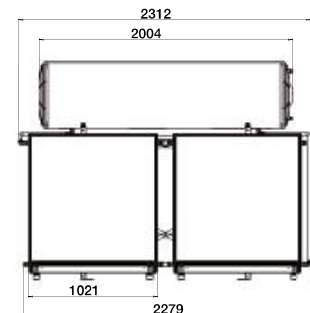
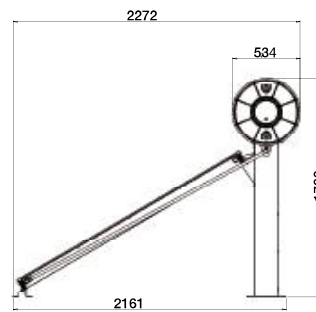
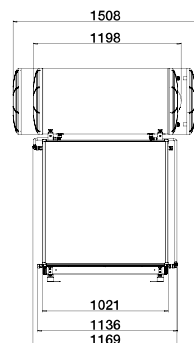
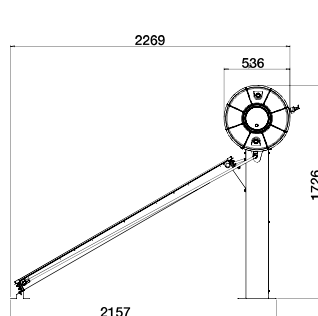
		KAIROS THERMO DIRECT 150/1 TR	KAIROS THERMO DIRECT 200/1 TR	KAIROS THERMO DIRECT 300/2 TR
Collectors gross surface	m ²	2,05	2,05	4,10
Collectors aperture surface	m ²	1,90	1,90	3,80
Empty mass (ground installation)	kg	117	129	212
Domestic hot water storage tank capacity	l	153	202	275
DHW circuit max. pressure	bar	8	8	8

CODE

3022091

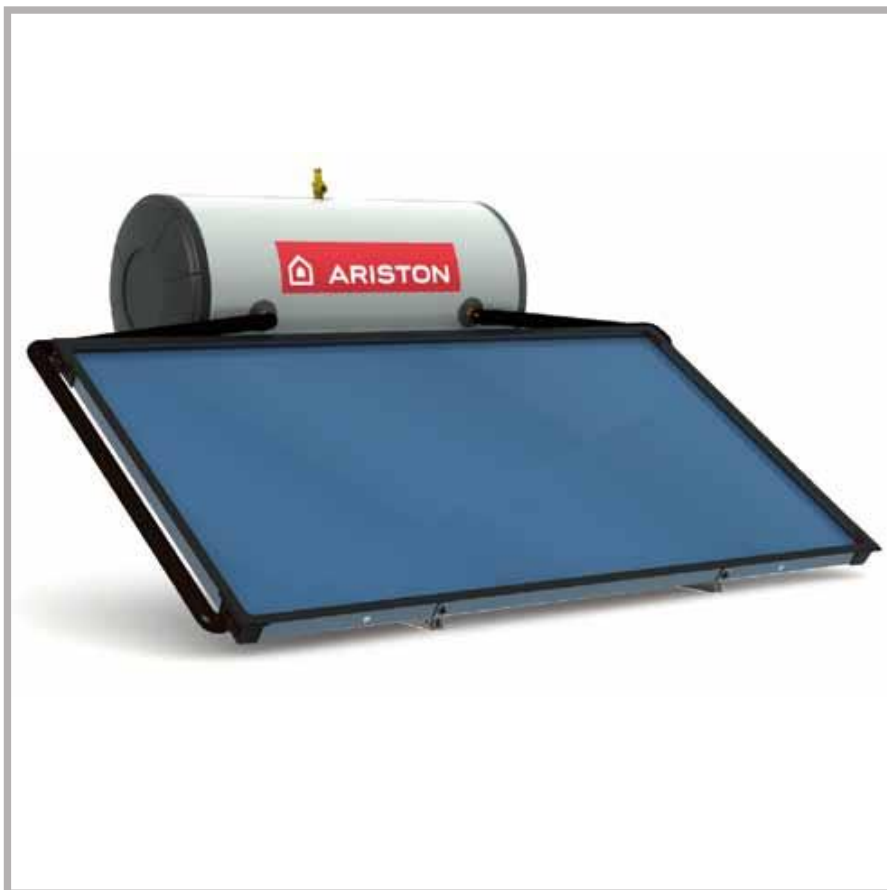
3022092

3022093



KAIROS THERMO HF

150 - 200 - 300



Natural circulation solar system for the production of domestic hot water

- NEW CIRCUIT FOR MAXIMIZING THE AMOUNT OF DOMESTIC HOT WATER ACCORDING TO THE AVAILABLE SOLAR RADIATION
- HIGH PERFORMANCE SOLAR COLLECTOR TO ENSURE HIGH TEMPERATURE DOMESTIC HOT WATER
- NEW DESIGN WITH EXTREMELY COMPACT DIMENSIONS
- SIMPLE INSTALLATION THANKS TO HYDRAULIC QUICK FITTING CONNECTIONS AND SELF-SUPPORTING FRAME
- SOLAR KEYMARK CERTIFICATION



MADE IN ITALY



CORROSION PROOF



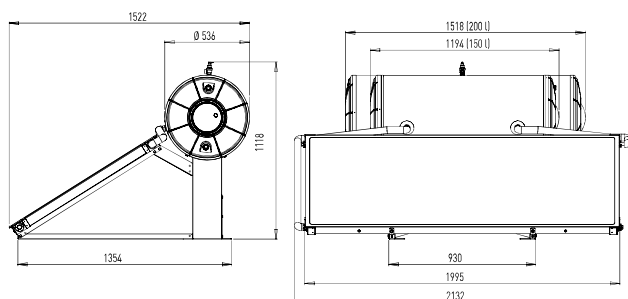
HAIL PROOF



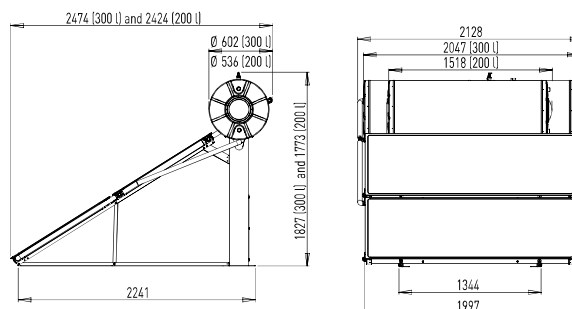
SOLAR KEYMARK

Technical data

		HF 150/1 TR	HF 150/1 TT	HF 200/1 TR	HF 200/1 TT	HF 200/2 TR	HF 200/2 TT	HF 300/2 TR	HF 300/2 TT
Solar collectors									
Installation		Ground or flat roof	Sloped roof	Ground or flat roof	Sloped roof	Ground or flat roof	Sloped roof	Ground or flat roof	Sloped roof
Collector gross surface	m ²	2,2	2,2	2,2	2,2	4,4	4,4	4,4	4,4
Collector aperture surface	m ²	2,01	2,01	2,01	2,01	4,02	4,02	4,02	4,02
Empty mass	kg	113	104	124	116	170	157	194	187
Solar circuit capacity	l	5	5	5	5	6,6	6,6	10,6	10,6
Tank module									
Domestic hot water storage tank capacity	l	153	153	202	202	202	202	280	280
DHW circuit max. pressure	bar	8	8	8	8	8	8	8	8
Solar circuit safety valve calibration	bar	1,5	1,5	1,5	1,5	1,5	1,5	1,5	1,5
Heat losses	kWh/24h	1,8	1,8	2,2	2,2	2,2	2,2	3,6	3,6
CODE (with antifreeze liquid)		3022100	3022101	3022102	3022103			3022104	3022105
CODE (without antifreeze liquid)		3022125	3022124	3022127	3022126	3022141	3022140	3022129	3022128
CODE (with 1,5 kW electrical heating element)		3022131	3022130	3022133	3022132	3022147	3022146	3022135	3022134



These drawings refer to 150/1 and 200/1 models



These drawings refer to 200/2 and 300/2 models